

929 PUMP SETTING GAUGE

MODEL 929-1-S

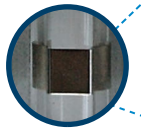
Gauge mounts in suction line between reservoir and chemical pump and allows you to accurately calibrate pump to the desired amount of chemical to be injected. It provides a visual indication of liquid in the reservoir as well as a rapid means for setting the chemical pump. Rate scale on left side is marked and labeled in quarts per day and rate scale on right side is marked and labeled in liters per day.

MODEL 929-1-S-MRH

Same as 929-1-S except with a clear polycarbonate sight tube shield with silk screened Metric Rate and Height scales. Scales are in Centimeters, Milliliters and Liters Per Day based on a one minute test.

MODEL 929-2

Same as 929-1-S except lower gauge connection is a 1/4" quick disconnect plug meeting industrial interchangeability requirements. This allows gauge to be easily moved to various quick disconnect coupler locations.



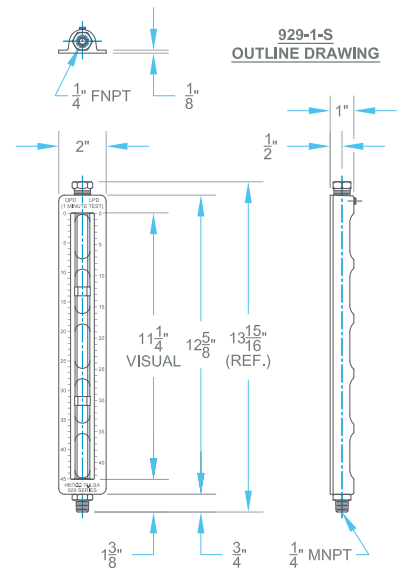
ADJUSTABLE STAINLESS STEEL GAUGE MARKERS



MODEL 929-1-S



MODEL 929-1-S-MRH



Model Specifications

MODEL NUMBER	BASIC MODEL DESCRIPTION	*MAXIMUM PUMP RATE	*RATE SCALE DIVISIONS	MOUNTING THREAD	VENT SIZE	WETTED METALS	SIGHT TUBE	SEAL MATERIAL		
929-1-S	GAUGE ONLY	45 QPD 42.59 LPD	1 QPD / 1 LPD	1/4" MNPT	1/4" FNPT	303 S.S.	GLASS	AFLAS		
929-1-S-MRH			1 LPD / 1 ML							
929-1-S6	GAUGE ONLY		45 QPD 42.59 LPD	1 QPD / 1 LPD	1/4" MNPT	1/4" FNPT	316 S.S.	GLASS	AFLAS	
929-1-S6-MRH				1 LPD / 1 ML						
929-2	929-1-S w/COUPLER PLUG			45 QPD 42.59 LPD	1 QPD / 1 LPD	1/4" CPLR. PLUG	1/4" FNPT	C.S. / 303 S.S.	GLASS	AFLAS
929-2-MRH					1 LPD / 1 ML					

*Maximum Pump Rates are based on a one minute test. Rate Scale Divisions in Quarts Per Day / Liters Per Day are based on a one minute test and Scale Divisions in Milliliters are based on gauge volume.

ORDERING SYSTEM

929 Pump Setting Gauges

REQUESTED BY: _____ COMPANY: _____

ADDRESS: _____ CITY: _____ STATE: _____ ZIP: _____

PHONE: _____ FAX: _____ EMAIL: _____

Model Number

929-1-S	929-1-S6-MRH
929-1-S-MRH	929-2
929-1-S6	929-2-MRH

O-ring Seal Material Options

A = Aflas (Leave Blank)
 B = Buna-N
 E = Ethylene Propylene
 V = Fluorocarbon
 T = PTFE

Represented by:

Kenco Sales Offices:

Headquarters

10001 E. 54th St.
 Tulsa, OK 74146
 phone 918.663.4406
 fax 918.663.4480
 www.kenco-eng.com
 email: info@kenco-eng.com

Baton Rouge Office

11616 Industriplex, Suite 7
 Baton Rouge, LA 70809
 phone 225.755.1912
 fax 225.755.1913
 www.kenco-eng.com
 email: kenco-la@kenco-eng.com

84375 (2-20-2020)

